

# GalvinAssist freestanding laundry tub

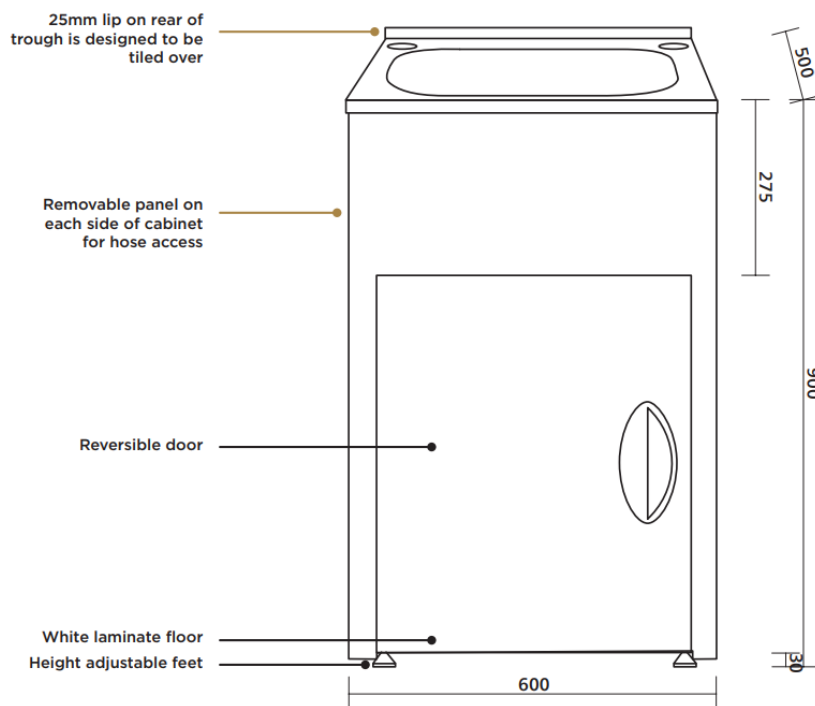
**Product Code: 105.83.10.01**

The GalvinAssist freestanding laundry tub offers a simple, practical option for the laundry.

- Stainless Steel Sink
- Free standing units
- Powder coated metal cabinet and 304 grade stainless steel sink
- Stainless steel designed basket waste
- Rinse bypass kit included
- Removable panel on each side of cabinet for hose access
- Reversible door
- Cabinet has white laminate floor
- 42mm holes on left and right at rear of sink (caps supplied)
- 25mm lip at rear of trough (designed to be tiled over)
- Height adjustable feet

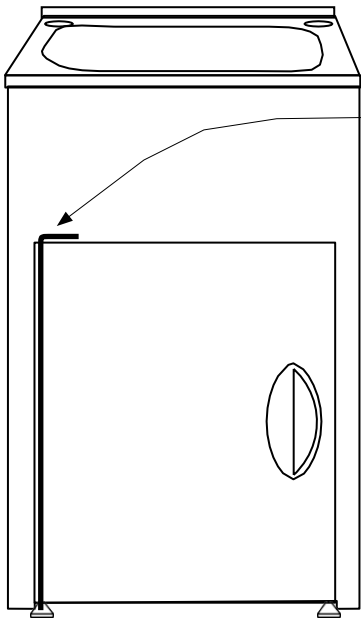
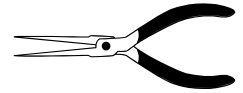
## Product detail

|                 |  |
|-----------------|--|
| <b>Summary</b>  | One bowl, metal cabinet, one door  |
| <b>Tapholes</b> | 42mm taphole on left+ right at rear of tub   |
| <b>Waste</b>    | Includes basket waste  |
| <b>Bypass</b>   | Includes bypass kit  |
| <b>Floor</b>    | Cabinet is fitted with white laminate MDF floor  |
| <b>Door</b>     | Reversible door can be fitted to open to left or right   |
| <b>Feet</b>     | Height adjustable feet accommodate varying floor levels and elevate cabinet away from floor moisture |



# HOW TO REVERSE THE DOOR OPENING

Recommended tool:  
long nose pliers



The door is held in place by a long metal pin with a bend at the top.

To reverse the door opening, the pin can be swapped to the other side of the cabinet.

### Threading sequence

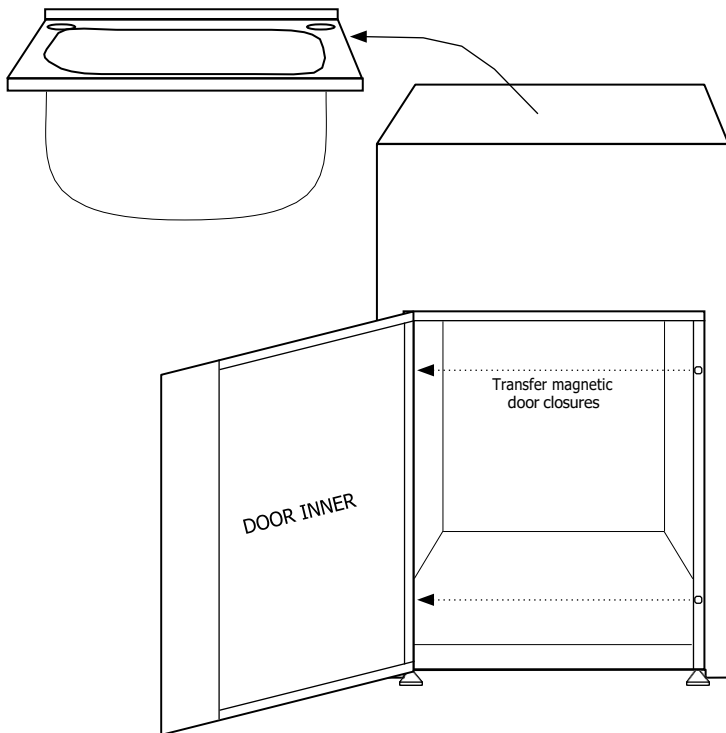
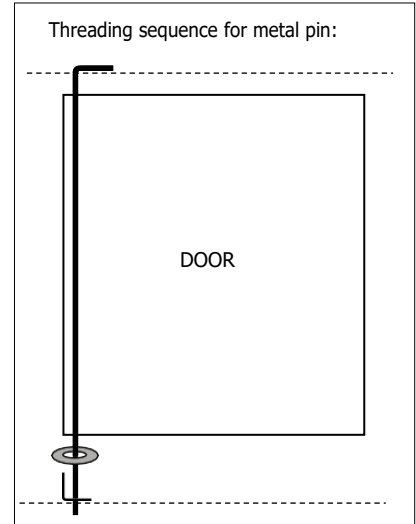
The pin is threaded in the following sequence:

- 1 Through the hole in the frame at the top of the unit door opening
- 2 Then through the holes in the door
- 3 Then into a small washer
- 4 Then finally into the hole in the metal 'L' bracket at the base of the unit

### Important notes

The washer must be placed between the door and metal 'L' bracket at the base of the unit.

The magnetic door closures need to be transferred to the other side of the cabinet.



## Instructions

- 1 First, remove the sink from the cabinet to access the door pin from inside the cabinet.
- 2 Remove the long pin to free the door.
- 3 Unscrew the magnetic door closures and refasten these on the other side of the door opening.
- 4 Reverse the door, and re-thread the pin on the other side. See threading sequence above.